

DLT-V73 Series

Rugged x86-Based Vehicle-Mounted Terminal



Features

- 10.4"/12.1" color TFT XGA display
- Intel® Core™ i5-1145GRE quad-core, 1.5 GHz , 8/16 GB RAM or Intel® Celeron® 6305E dual-core 1.8 GHz, 8/16 GB RAM
- IK08-certified touchscreen for impact tolerance and abrasion resistance
- Full IP66 rating for protection from water and dust ingress
- 5M3 shock and vibration resistance verified
- Wide operating temperature range (-30 ~ 50 °C / -22 ~ 122 °F) to withstand extreme environments
- Optional uninterruptible power supply via battery pack (up to 20 minutes of operation)
- Supports Windows and Linux
- Certified with SOTI, Staylinked, and Navis N4 software
- Equipped with DeviceOn software for remote device management

DeviceOn/iService

Introduction

Advantech's DLT-V73 series is an x86-based industrial grade vehicle-mounted terminal (VMT) designed for the most demanding applications to provide maximum system uptime. The slim and compact design allows it to fit into the smallest of vehicle cabinets. The compact design not only consumes minimal installation space, but it also minimizes obstructions to road visibility, thereby improving driving safety. The DLT-V73 is designed to withstand operation in extreme industrial environments, whether it is hot and humid, or cold and dry. Moreover, DLT-V73 can support both Windows and Linux operating systems, making it an ideal VMT for a wide range of smart applications, such as warehouse management, port management, heavy-duty operations, and industrial manufacturing. The integrated Wi-Fi 6 WLAN Kit offers excellent wireless connectivity for uninterrupted data transmission. Meanwhile, the scratch-resistant touchscreen ensures easy data input and gloved operation. By using latest technology optical bonding, the display provides a clear and bright image. Lastly, DLT-V73 is equipped with Advantech's DeviceOn software, which is a next-generation unified device management solution based on the WISE-DeviceOn platform. With support for batch operations and multi-device control, DeviceOn enables easy device configuration and deployment for convenient remote device management. To sum up, Advantech's DLT-V73 offers a rugged VMT solution, which supports both Windows and Linux operating systems and ensures easy and cost-effective migration and device management. This makes it easy for businesses to keep up with their existing needs and remain scalable for future upgrades.

Specifications

System	CPU	Intel® Core™ i5-1145GRE quad-core, 1.5 GHz, with 8/16 GB RAM LPDDR4X Intel® Celeron® 6305E dual-core, 1.8 GHz, with 8/16 GB RAM LPDDR4X
	TPM	TPM 2.0
	TPU/VPU	Google Coral Card M.2 Accelerator* (optional)
	Storage	128 GB or 256 GB CFast
Dimensions (W x H x D)	DLT-V7310	268 x 267 x 57 mm (10.6 x 10.5 x 2.2 inch)
	DLT-V7312	298 x 290 x 67 mm (11.7 x 11.4 x 2.6 inch)
	DLT-V7312P+	298 x 270 x 67 mm (11.7 x 10.6 x 2.6 inch)
Weight	DLT-V7310	4.0 kg (8.7 lb)
	DLT-V7312	4.8 kg (10.5 lb)
	DLT-V7312P+	4.6 kg (10.1 lb)
Housing	Completely sealed, fanless design made of coated aluminum	
Display	DLT-V7310	10.4" XGA color TFT with 1024 x 768 resolution and 500 cd/m ² brightness, Aspect Ratio: 4:3
	DLT-V7312 / 12P+	12.1" XGA color TFT with 1024 x 768 resolution and 600 cd/m ² brightness, Aspect Ratio: 4:3
Touchscreen	Resistive touchscreen	DLT-V7310 with 10" XGA display, 12 keys DLT-V7312 with 12" XGA display, 12 keys
	PCT Projective capacitive touchscreen	DLT-V7310 with 10" XGA display, 12 keys DLT-V7312 with 12" XGA display, 12 keys DLT-V7312P+ with 12" XGA display, 3 keys
	Resistive Touchscreen with Defroster	DLT-V7310 with 10" XGA display, 12 keys DLT-V7312 with 12" XGA display, 12 keys
Control Buttons	Front Panel 10" & 12"	12 x control buttons
	Front Panel 12" P+	3 x control buttons
OS	Operating System	Windows 11 IoT Enterprise, Windows 10 IoT Enterprise LTSC, Debian-based Linux
Communication	WLAN	WLAN diversity; IEEE 802.11 a/b/g/n/ac/ax (Wi-Fi 6: 2.4GHz; 5GHz; 6GHz)
	WWAN, GPS*	WWAN (LTE, UMTS, HSPA+, GPS) (optional)
	LAN	1 x LAN (10/100/1000/2500 Mbit/s), 1 x LAN (10/100/1000 Mbit/s)
	WPAN	Bluetooth 5.3
	NFC	NFCIP-1 and NFCIP-2, ISO/IEC 14443, ISO/IEC 15693, MIFARE

* Feature under development

DLT-V73 Series

Interfaces	Serial	1 x COM RS-232: 5 V _{DC} / 12 V _{DC} / RI (switchable)
	USB	2 x USB-A 3.2 Gen 1, 1 x USB-C 3.2 Gen 2, 1 x Service USB-C 3.2 Gen 2
Sensors	External Antenna	1 x RSMA for WLAN, 1 x SMA for WWAN (optional), 1 x SMA for GPS (optional)
	AddOn Module (optional)	Available options: 1 x USB to Serial COM RS-232/RS-485/RS422 (switchable) 1 x USB-A 3.2 (Gen1) 1 x LAN (10/100/1000 Mbit) 1 x Digital I/O* 1 x CAN bus (CAN2.0/J1939/CAN FD)*
Audio		1 x Ambient light sensor for automatic brightness control 1 x Accelerometer 1 x Gyroscope
Power Supply		2 x integrated Stereo-Loudspeaker (2 x 2.5 W) 12/24/48V certified vehicle power; Automatic power on/off function via vehicle ignition Optional uninterruptible power supply (UPS) via battery pack (supports up to 20 minutes of operation; battery life may vary according to load)
Environmental	IP Rating	IP66 rating for the entire system
	Operating Temperature	-30 ~ 50 °C (-22 to 122 °F) for DLT V73 system -10 ~ 30 °C (14 to 86 °F) for UPS functionality
	Storage Temperature	-30 ~ 60 °C (-22 ~ 140 °F) for DLT V73 system -20 ~ 50 °C (-4 ~ 122 °F) for UPS
	Relative Humidity	10 to 90% at 40 °C (104 °F), non-condensing
	Shock/Vibration	5M3 (EN 60721-3-5) MIL-STD 810F (US highway truck vibration exposure)
Certifications		Touchscreen Durability IK08 CE Immunity Class A, Emission Class B/FCC Class B (for EU and USA), CCC (for China), UKCA
Software	Certified 3rd Party Software	SOTI, Navis, Staylinked
	Advantech Device Management Software	DeviceOn*
	DLT M-suite pre-installed software package	MDevice MKeyboard MWedge MBlank MPair MTouch
	<ul style="list-style-type: none"> ▪ Free of charge ▪ Features may vary by model and OS 	

* Feature under development

Ordering Information

For Worldwide Models

System Part Number	Model Name	Display	Front Keys	Touch	System
DLV7310-2PQ110W00	DLT-V7310P Celeron	10.4" XGA	12 keys	Capacitive Touch	Intel® Celeron® 6305E dual-core, 1.8 GHz, 8 GB RAM LPDDR4X, 128GB CFast, Wi-Fi 6 WLAN module kit with integrated Antenna + RSMA plug for external Antenna connection, Windows 10 IoT Enterprise LTSC 2021, integrated DC power supply
DLV7312-2PQ110W00	DLT-V7312P Celeron	12.1" XGA	12 keys	Capacitive Touch	
DLV7312-2QQ110W00	DLT-V7312P+ Celeron	12.1" XGA	3 keys	Capacitive Touch	
DLV7310-4PQ110W00	DLT-V7310P Core-i5	10.4" XGA	12 keys	Capacitive Touch	Intel® Core™ i5-1145GRE quad-core, 1.5 GHz, 8 GB RAM LPDDR4X, 128GB CFast, Wi-Fi 6 WLAN module kit with integrated Antenna + RSMA plug for external Antenna connection, Windows 10 IoT Enterprise LTSC 2021, integrated DC power supply
DLV7312-4PQ110W00	DLT-V7312P Core-i5	12.1" XGA	12 keys	Capacitive Touch	
DLV7312-4QQ110W00	DLT-V7312P+ Core-i5	12.1" XGA	3 keys	Capacitive Touch	

For US Models

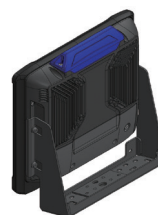
System Part Number	Model Name	Display	Front Keys	Touch	System
DLV7310-2PQ410W0C0	DLT-V7310P Celeron	10.4" XGA	12 keys	Capacitive Touch	Intel® Celeron® 6305E dual-core, 1.8 GHz, 8 GB RAM LPDDR4X, 128GB CFast, Wi-Fi 6 WLAN module kit with integrated Antenna + RSMA plug for external Antenna connection, Windows 10 IoT Enterprise LTSC 2021, integrated DC power supply, UPS
DLV7312-2PQ410W0C0	DLT-V7312P Celeron	12.1" XGA	12 keys	Capacitive Touch	
DLV7312-2QQ110W0C0	DLT-V7312P+ Celeron	12.1" XGA	3 keys	Capacitive Touch	

Optional Accessories

Part Number	Description
DL-MTKT013	Mounting bracket mobile 15 grade fixed For V73
DL-MTRM004	RAM-Mount Set, one arm, arm length 130mm
DL-MTRM001	RAM-Mount Set, two arms, arm length 150mm
9768MDKT035	USB3.1 Type-C to USB3.0 Type-A female OTG 15cm cable

Mount Kit Options

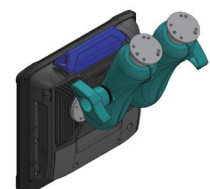
DL-MTKT013



DL-MTRM004



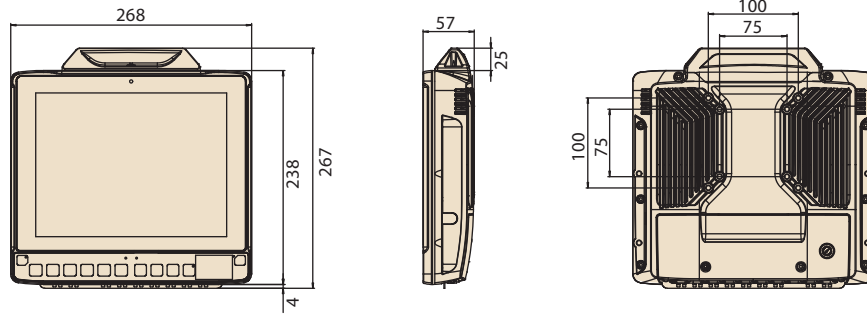
DL-MTRM001



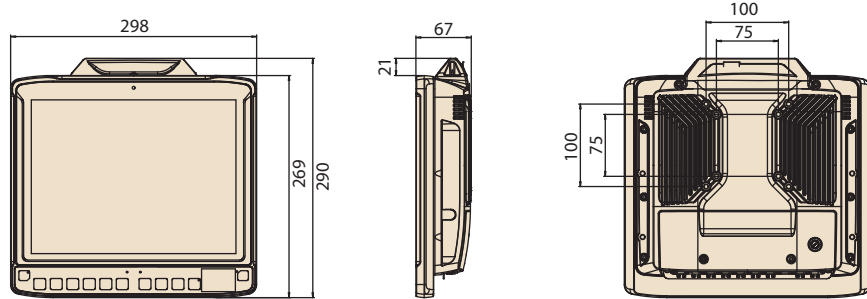
Dimensions

Unit: mm

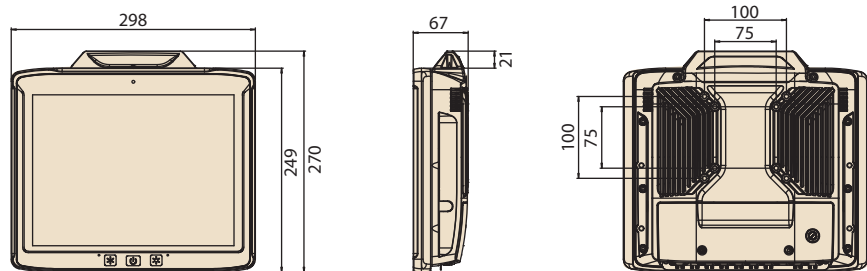
DLT-V7310



DLT-V7312



DLT-V7312P+



I/O Connectors

